

# AKWA+FLEX-50

## RGBW Dynamic SPECIFICATION SHEET

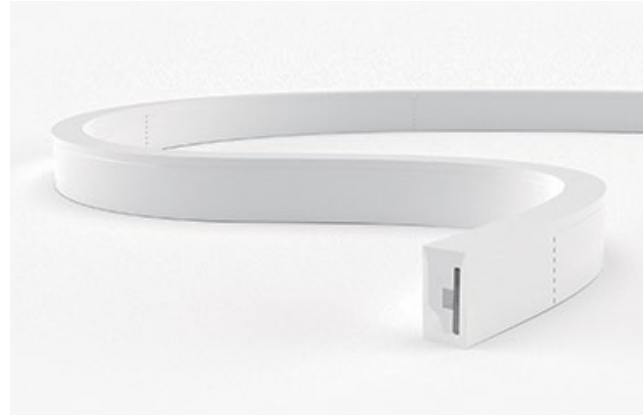
Project Name: .....

Specifier: .....

Location: .....

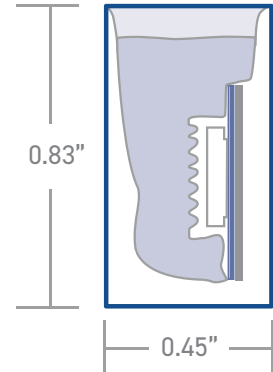
Product Code: .....

	<b>Material:</b> Silicone		<b>Impact Rating:</b> IK08
	<b>Weatherproof Rating:</b> IP68 Wet Location		<b>Operating Temp:</b> -40°F - 131°F
	<b>Bending Direction:</b> Horizontal		<b>UL Listed</b>
	<b>Beam Angle:</b> 120°		<b>Dimmable:</b> DMX
	<b>Bend Diameter:</b> >3.14"		<b>CRI:</b> >80+



AKWA Silicone Resin Encapsulation   Horizontal Bend	
Input Voltage	24V
Power Consumption	5.5W/ft
Standard CRI	>80
LEDs per foot/m	21   70
Incremental length in/mm	3.93"   100mm
Pixels per foot/m	3   10

Color Temperature [K]	Lumen Output [lm/ft]
Red	8lm
Green	26lm
Blue	5lm
3000K	29lm



Luminaire Options	RGB/W, tunable white & dim to warm available - refer to specific datasheets
Control	DMX
Optics	opal symmetrical 120° diffuser
Finish	white
Mounting	surface · wall
Accessories	mounting channel / profile

Due to tolerances of the production process and the electrical components, values for light output, color temperature and electrical power can vary up to 10%.

### How to specify KLIK USA AKWA Flex 50. Example of specification: AF50RGB3XX.XBADYNM

Fixture Type	Color Temp [K]	Nominal Length [feet] with one feed <sup>1,2</sup>	Power Entry Location <sup>3</sup>	Mounting Profiles & Brackets	Color Temp [K]	Control
AF50	<b>RGB3</b> RGBW[3K] <b>RGB4</b> RGBW[4K]	<b>XX.X</b> Specify run Length [ft]	<b>B</b> Back one end <b>B2</b> Back each end <b>E</b> End Plate one end <b>E2</b> End Plate each end <b>SL</b> Side - Left <b>SLR</b> Side - Left+Right	<b>A</b> AF50S01 <b>B</b> AF50S04 <b>C</b> AF50H05 <b>D</b> AF50V01 <b>E</b> AFPC50S01-T <b>F</b> AFSSC50FLX <b>G</b> AFSSC50S01-05 <b>H</b> AFSSC50S02-100 <b>I</b> AF50S01FLX <b>J</b> AF50S04FLX	- Profile [Std] <b>A</b> AF50ADJ	<b>DYNM</b> DMX Dynamic

1. Specify length of run

2. Max run length per power entry feed is 15' [4.6m] and 30' [9.8m] for 2 x feeds [one at each end]

3. B2, E2 & SLR only required if exceeding the maximum single power entry as indicated above, thus requiring TWO power entries.

# AKWA+FLEX-50

## POWER ENTRY LOCATIONS



**B**

Power entry from the BACK of the fixture [one end]



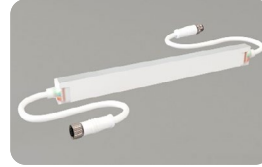
**B2**

Power entry from the BACK of the fixture [both ends] [for fixture length >15']



**E**

Power entry from the END of the fixture [one end]



**E2**

Power entry from the END of the fixture [both ends] [for fixture length >15']



**SL**

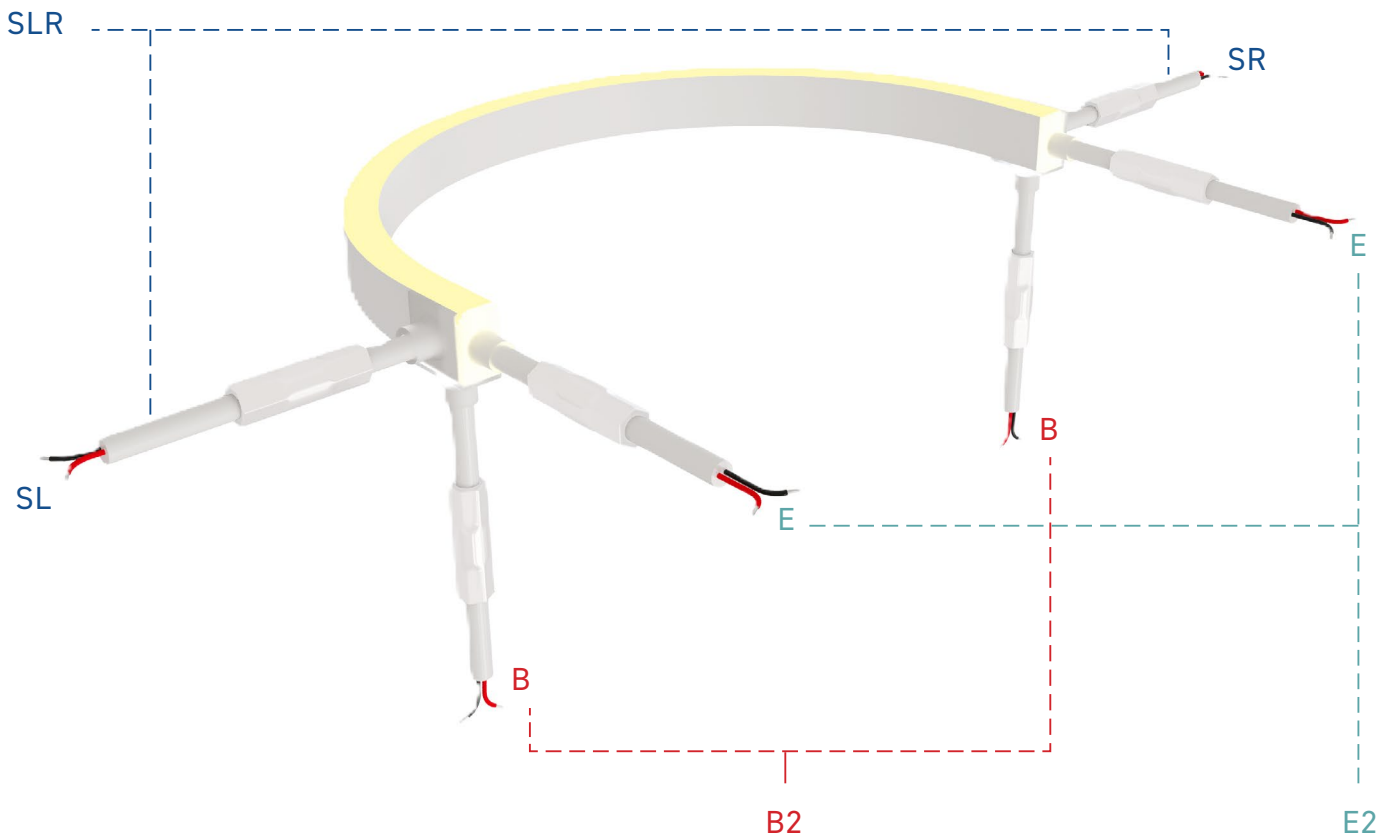
Power entry from the SIDE of the fixture [LHS]



**SLR**

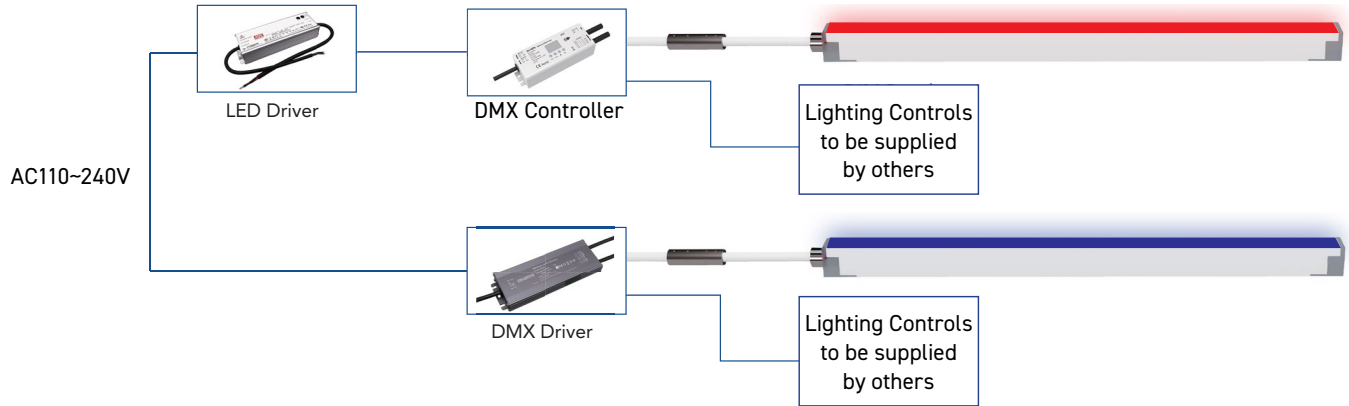
Power entry from the SIDE of the fixture [both L&R] [for fixture length >15']

## POWER ENTRY ORIENTATION

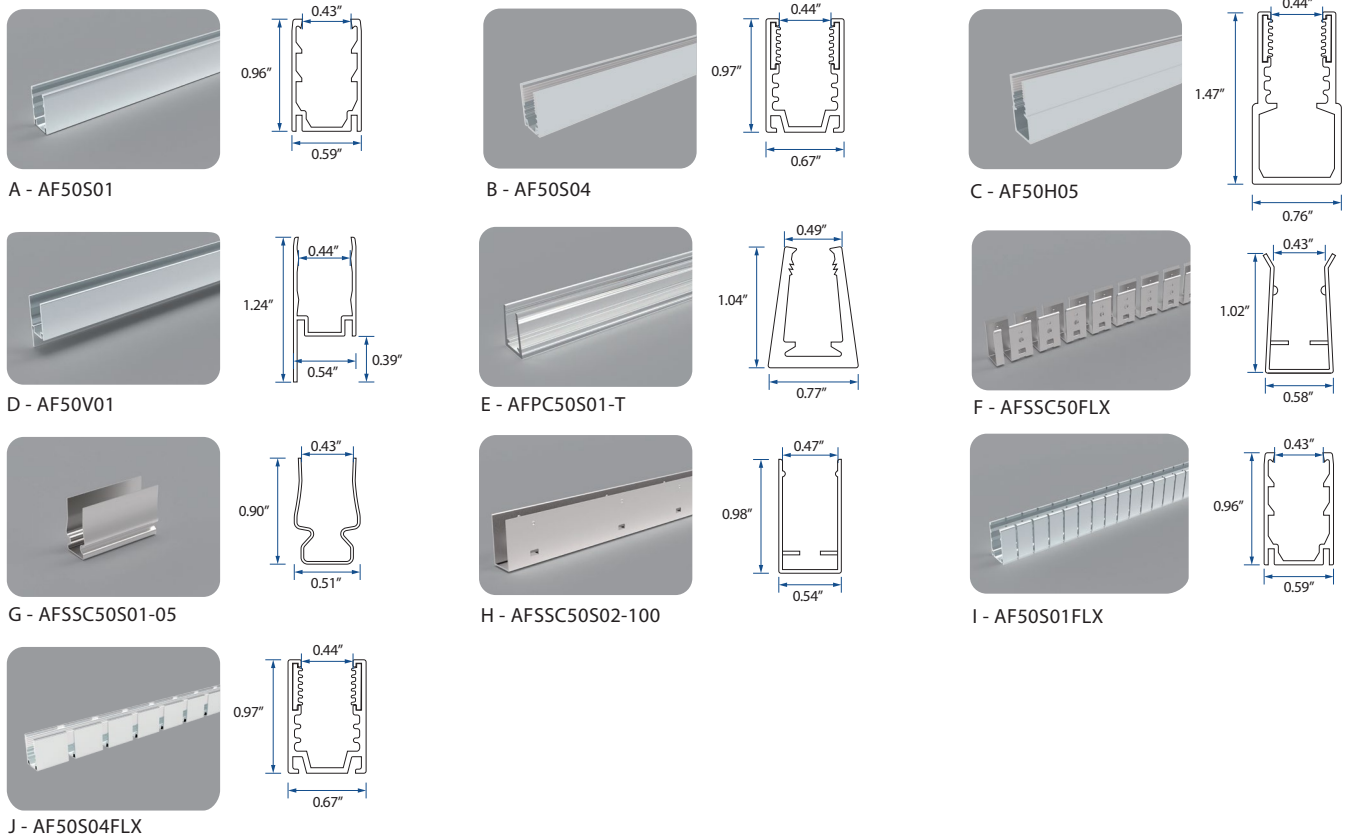


# AKWA+FLEX-50 WIRING DIAGRAMS

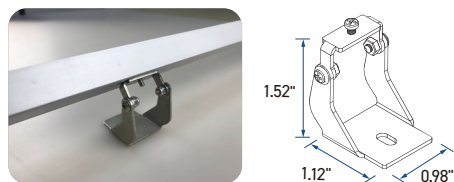
## RGBW DYNAMIC



## MOUNTING OPTIONS



## ACCESSORIES



Adjustable Bracket - A - AF50ADJ