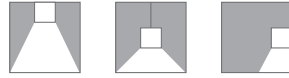
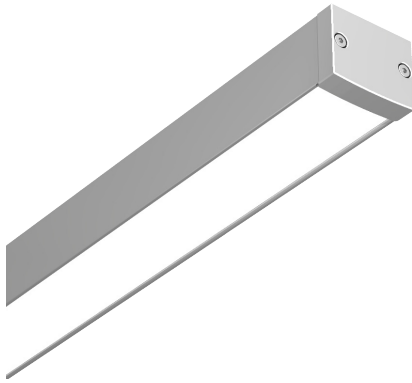
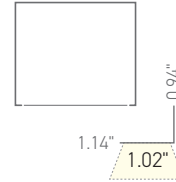


# EKKO AKWAFIL 026 BOX

## SPEC SHEET



Project Name:
Specifier:
Location:
Product Code:



DIRECT	AKWA Resin Encapsulation		
LED lumens/m (L/f)	500 (152)	1000 (303)	1500 (455)
Delivered Lumens/m (L/f)	285 (86)	570 (173)	855 (259)
Standard CRI	>80		
<b>System W/m (W/f)</b>			
2700K	4 (1.2)	8 (2.4)	12.8 (3.9)
3000K	4 (1.2)	7.7 (2.3)	12.5 (3.8)
3500K	4 (1.2)	7.7 (2.3)	12 (3.6)
4000K	4 (1.2)	7.7 (2.3)	12 (3.6)
<b>Other LED Options</b>	solid colors available upon request.		
<b>Control</b>	non dim · DALI · 0-10V		
<b>Optics</b>	AKWA - symmetrical		
<b>Finish</b>	white/black/silver powder coat standard · custom powder coat · clear anodized		
<b>Weight/Pack Size</b>	1.0kg/m - 70 x 70 x (l + 200mm)		
<b>Mounting</b>	wire suspended · rod suspended · surface mount bracket · wall mount bracket		
<b>Accessories</b>	mitred bends · T-joins		
<b>Luminaire Length</b>	any length over 500mm in 1mm increments with fully illuminated diffuser		

1. Lumens/m based on 4000K LED strip  
 2. Due to tolerances of the production process and the electrical components, values for light output, colour temperature and electrical power can vary up to 10%.

EKKAKW026BXD-LEDOptek-20201124-01

### Product Codes

Follow the steps to specify your fixture. Enter Product Code in field at top of page. Example: **AKFL026BXD** 27K500ANONON

Fixture Type	Aperture Size	Form	Mounting	Nominal Length (in mm)	Color	Output (lm/m)	Finish	Control	Bends
AKFL	026 26mm	BXD Box Direct	SUR Surface		27K 2700K	500	ANO Clear Anodized	NON Non-Dim	BND If miters req'd, provide drawing
			CAB Cable Susp		30K 3000K		PCB Powdercoat Black		
			ROD Suspension Rod		35K 3500K		PCS Powdercoat Silver		
			WALL Wall-mount		40K 4000K		PCW Powdercoat White		
			CUS Custom (consult factory)		1500		CUS Custom (consult factory)		

1. Specify cable termination at mounting point  
 2. Specify mounting length





