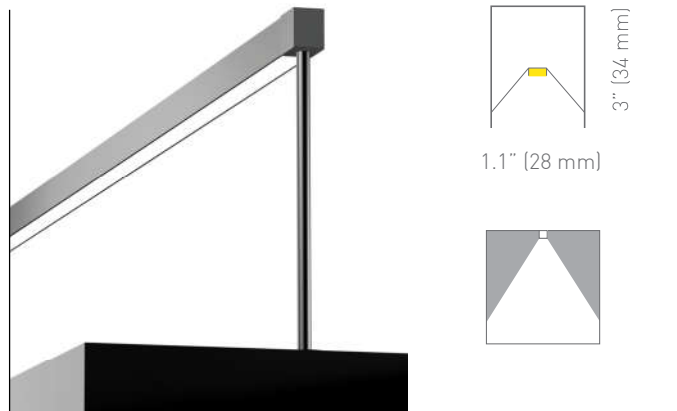
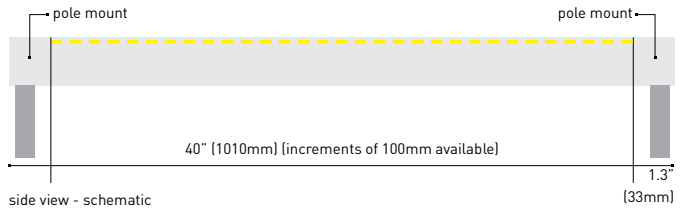


- Minimal streamlined construction
- Strong and durable aluminum profiles
- Designed for ease of installation
- Continuous construction with the use of "T" posts spaced along work bench
- Dot free LED strips use 24V SELV Power Supplies (Dimming available)



KLIKLED®
see over for LED options



remote gear
24V



optics
LEDOptix opal



finish
clear anodized
standard colors
custom colors available



specifications subject to change without notice

Weight/Pack size	1.2kg/m - 70 x 70 x (L + 200mm)
Finish	clear anodized · silver powder coat · white powder coat · custom color
Mounting	pole mount with internal wiring · "T" pole bracket for continuous runs
Accessories	custom angled connectors · RGB and RGB/W colour changing LED's · others available

DIRECT

KLIKLED[®]



Color ²	3000K				4000K				RGBW - 3000K			RGBW - 4000K				
									RGB	White	White	White	RGB	White	White	White
LED Lumen/m¹	500	1000 ³	1500	2250	500	1000 ³	1500	2250		1000	1500	2250		1000	1500	2250
Standard CRI (Ra)⁴	>80	>80	>80	>80	>80	>80	>80	>80	n/a	>80	>80	>80	n/a	>80	>80	>80
LED Watts/m	4.7	9	13	20 ⁴	4.7	9	13	20 ⁴	15	10	15	20	15	10	15	20
High CRI (Ra)⁷	98	98	98	98	98	98	98	98								
CRI R9 (R9)	80	80	80	80	80	80	80	80								
LED Watts/m	7	11	16	24	7	11	16	24								
Cyanosis COI^{5,6}						0.94	0.94	0.94								
LED Watts/m						11	16	24								
Control	Non Dim · DALI · 0-10V · DMX (remote to luminaire)															
Optics	LEDoptek															
Luminaire Length	Standard to 10 feet (3m) in a single piece without joins. Joins are seamless and near invisible, longer runs available as special order.															
Incremental Length	100mm															
LEDS	Cree · LG Innotek · Nichia · Philips Lumileds															

1. All values shown are LED lumens and watts, see photometric files for system lumens and watts. 2. 2700K - 5000K available on request. 3. Solid colors available upon request - Amber, Blue, Red & Green.
 4. LM-79 and TM-21 lifetime projection test reports available on request. 5. EMC Test to AS/NZS CISPR 15:2011 test report available on request. 6. Appendix G of AS1680.2.5:1997 test report available on request.
 7. CRI tolerance = +1% -3% LED-G 20160923-01